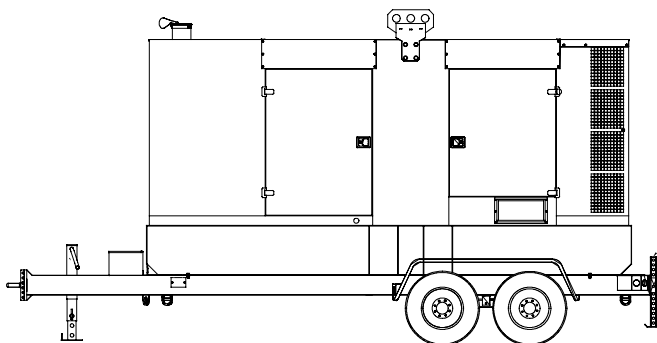




Ratings Range

		60 Hz
Standby:	kW	484-504
	kVA	605-630
Prime:	kW	440-458
	kVA	550-573



Industrial Towable Generator Sets

- Kohler Co. provides one-source responsibility for the generating system and accessories.
- The generator set and its components are prototype-tested, factory-built, and production-tested.
- A one-year limited warranty covers all systems and components.
- Generator sets are available with and without trailers.
- Generator set features:
 - Durable galvanized steel, sound-attenuating housing.
 - Electrical power panel.
 - Unit-mounted radiator with 40°C (104°F) ambient air capability with prime rating.
 - Skid and vibration isolators.
 - Main line circuit breaker, 1600 amps.
 - Microprocessor controller with emergency stop switch.
 - Externally mounted, recessed emergency stop switch.
 - Generator set and trailer operation literature.
- Engine features:
 - Volvo engine with 24-volt battery charging alternator.
 - Heavy-duty air cleaner with air restrictor indicator.
 - Battery, battery rack, and cables.
 - Engine certified by the Environmental Protection Agency (EPA) to conform to tier level in effect at time of manufacture.
 - Water separator fuel filter.
 - Battery disconnect switch.
 - Block heater, 120 V/2250 W.
- Enclosure/fuel tank package features:
 - Quiet operation, 75 dB(A) @ 7 m (23 ft.) (full load).
 - Lockable housing doors.
 - Subbase fuel tank, 1770 L (468 gal.).
 - 110% environmental containment basin for fuel, oil, and coolant.
- Trailer features:
 - Lunette eye.
 - Lockable utility tool box.
 - Running lights with 7-wire harness and connector.
 - Dual-axle trailer with electric brake system including breakaway and battery backup. 4536 kg (10000 lb.) rating per axle.
 - Steel wheels, 8-bolt, and 215/75R17.5 LRH tires with 2180 kg (4805 lb.) load rating.
 - Rear stabilizer trailer jacks.

Generator Set Ratings

Alternator	Voltage	Ph	Hz	Standby Rating		Prime Rating	
				kW/kVA	Amps	kW/kVA	Amps
LSA472M7	120/208	3	60	484/605	1679	440/550	1527
	277/480	3	60	504/630	758	458/573	689

RATINGS: All three-phase units are rated at 0.8 power factor. **Standby Ratings:** The emergency standby power rating is applicable for supplying emergency power in variable load applications in accordance with ISO-8528-1. Overload is not allowed. **Prime Power Ratings:** Prime power is available for an unlimited number of annual operating hours in variable load applications in accordance with ISO-8528-1. A 10% overload capability is available for a period of 1 hour within a 12-hour period of operating in accordance with ISO-3046/1. Obtain the technical information bulletin (TIB-101) on ratings guidelines for the complete ratings definitions. The generator set manufacturer reserves the right to change the design or specifications without notice and without any obligation or liability whatsoever. **GENERAL GUIDELINES FOR DERATION:** *Altitude:* Derate 0.9% per 100 m (328 ft.) elevation above 1500 m (4921 ft.). *Temperature:* No derate for temperature.

Alternator Specifications

- NEMA-MG21, UTE NF C51.111, VDE 0530, BS 4999, CSA standards compliance for temperature rise and motor starting.
- Self-ventilated and dripproof construction.
- Vacuum-impregnated windings with fungus-resistant epoxy varnish for dependability and long life.
- Superior voltage waveform from a two-thirds pitch stator and skewed rotor.

Specifications	Alternator
Manufacturer	Leroy Somer
Type	4-Pole, Rotating-Field
Exciter type	Shunt
Leads: quantity, type	12, Reconnectable
Voltage regulator	Solid State, R230
Insulation:	NEMA MG1
Material	Class H
Bearing: quantity, type	1, Sealed
Coupling	Direct
Voltage regulation, no-load to full-load	±0.5%
Direct axis subtransient reactance (X"d), %	13.2

Application Data

Engine

Engine Specifications	
Manufacturer	Volvo
Engine model	TAD1641GE
Engine type	4-Cycle, Turbocharged
Cylinder arrangement	6 Inline
Displacement, L (cu. in.)	16.12 (983.7)
Bore and stroke, mm (in.)	144 x 165 (5.7 x 6.5)
Compression ratio	16.5:1
Piston speed, m/min. (ft./min.)	594 (1949)
Rated rpm	1800
Max. power at rated rpm, kWm (BHP)	546 (732)
Valve material:	
Intake	Chromium-Silicon Steel
Exhaust	Stainless Steel
Governor type	Electronic
Frequency regulation, no-load to full-load	ISO 5%
Frequency regulation, steady state	±2.5%
Air cleaner type, all models	Dry

Engine Electrical

Engine Electrical System	
Battery charging alternator:	
Ground (negative/positive)	Negative
Volts (DC)	24
Starter motor rated voltage (DC)	24
Battery, recommended cold cranking amps (CCA):	
Quantity, CCA rating each	Two, 1000
Battery voltage (DC)	12

Fuel

Fuel System	
Max. fuel flow, Lph (gph)	190 (50.2)
Fuel prime pump	Manual
Recommended fuel	#2 Diesel
Fuel tank capacity, L (gal.)	1770 (468)

Lubrication

Lubricating System	
Type	Full Pressure
Oil pan capacity, L (qt.)	42 (44.4)
Oil pan capacity with filter, L (qt.)	48 (50.7)

Application Data

Operation Requirements

Fuel Consumption	
Diesel, Lph (gph) at % load	Prime Rating
100% (of the prime rating)	120.73 (31.9)
75% (of the prime rating)	88.79 (23.5)
50% (of the prime rating)	59.78 (15.8)

Controllers



Decision-Maker® 4000

Standard Features

- Large LCD display panel
- Unique control wheel for system access
- User buttons for start, stop, menu, and escape
- Emergency stop button
- On/off key switch
- Panel-mounted battery fuse
- Panel-mounted USB ports for PC access and software upgrades
- Password-protected access to control parameters

LCD Panel Features

- 600 x 800 resolution
- Multiple lines of text or graphic display
- Icons for quick identification of system status

Communication Features

- Engine communication via CANbus
- Modbus communication via RS-485 or ethernet
- PC and flash drive connections via USB

Functions

- View and adjust system operation parameters
- View system faults

Viewable/Selectable Parameters (may require optional module)

- Voltage: phase-to-neutral, total voltage
- Current
- Frequency
- Power (active/reactive/apparent)
- Power factor
- Engine speed
- Oil pressure
- Coolant temperature
- Battery voltage
- Fuel level (%)
- Time delays

Viewable Faults (over 60 individual faults are monitored including)

- Alternator protection (if equipped)
- Circuit breaker and ground fault protection
- Communication and engine ECM monitoring
- Cooling air monitoring
- Electrical charging system
- Engine cooling system
- Engine lube system
- Fuel system
- Generator set status

Distribution Panel

Bus Bar Connection

- Main bus connection studs enclosed behind a lockable access door for easy access and operator safety
- Strain relief to prevent cables from being pulled free from bus connections

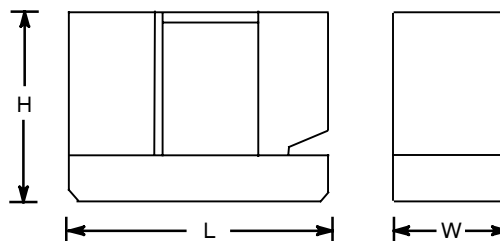


Available Accessories

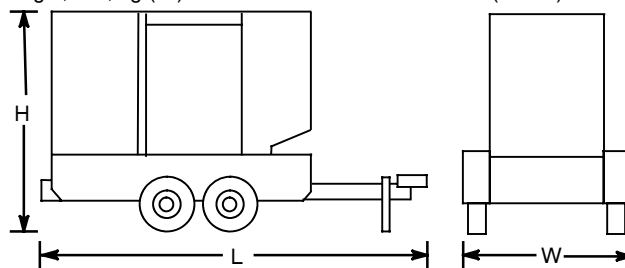
- Battery Charger, Equalize/Float Type
- Bottle Jack
- Cable Rack (bolt on)
- Fire Extinguisher
- Remote Start Connections
- Spare Tire
- Trailer (includes utility tool box)

Dimensions and Weights

Overall Size, L x W x H, mm (in.): 5083 x 1560 x 2780
 (200.12 x 61.42 x 109.45)
 Weight, wet, kg (lb.): 7280 (16050)



Overall Size, L x W x H, mm (in.): 6870 x 2308 x 3464
 (270.48 x 90.86 x 136.38)
 Weight, wet, kg (lb.): 8659 (19750)



Note: This drawing is provided for reference only and should not be used for planning installation. Contact your local distributor for more detailed information.

DISTRIBUTED BY: