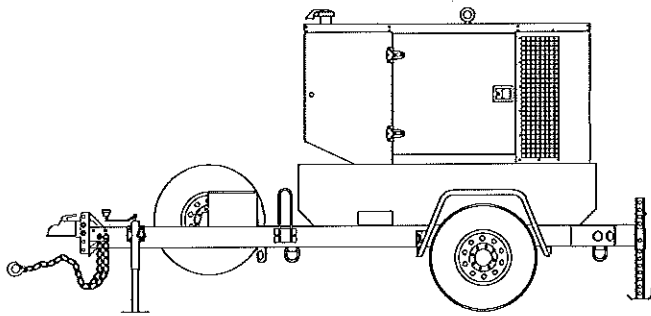




Ratings Range

		60 Hz
Standby:	kW	36-38
	kVA	36-48
Prime:	kW	33-35
	kVA	33-44



Industrial Towable Generator Sets

- Kohler Co. provides one-source responsibility for the generating system and accessories.
- The generator set and its components are prototype-tested, factory-built, and production-tested.
- A one-year limited warranty covers all systems and components.
- Generator sets are available with and without trailers.
- Generator set features:
 - Durable galvanized steel, sound-attenuating housing.
 - Electrical power panel.
 - Unit-mounted radiator with 50°C (122°F) ambient air capability with prime rating.
 - Skid and vibration isolators.
 - Main line circuit breaker, 160 amps.
 - Microprocessor controller with emergency stop switch.
 - Externally mounted, recessed emergency stop switch.
 - Lockable generator output voltage selector switch wired for 277/480 V 3 phase, 120/208 V 3 phase, and 120/240 V 1 phase.
 - Generator set and trailer operation literature.
- Engine features:
 - Mitsubishi engine with 12-volt battery charging alternator.
 - Heavy-duty air cleaner with air restrictor indicator.
 - Battery, battery rack, and cables.
 - The generator set engine is certified by the Environmental Protection Agency (EPA) to conform to Interim Tier 4 nonroad emissions regulations.
 - Water separator fuel filter.
 - Battery disconnect switch.
- Enclosure/fuel tank package features:
 - Quiet operation, 65 dB(A) @ 7 m (23 ft.) (full load).
 - Lockable housing doors.
 - Subbase fuel tank, 24-hour, 230 L (60 gal.).
 - 110% environmental containment basin for fuel, oil, and coolant.
- Trailer features:
 - 2 5/16 in. ball hitch coupler with adaptability for an optional Lunette eye.
 - Lockable utility tool box.
 - Running lights with 7-wire harness and connector.
 - Single-axle 3175 kg (7000 lb.) trailer with electric brake system including breakaway and battery backup.
 - 16 x 6, 6-bolt steel wheels and ST235/80R16 tires with 826 kg (1820 lb.) C tire load rating.
 - Rear stabilizer trailer jacks.

Generator Set Ratings

Alternator	Voltage	Ph	Hz	Standby Rating		Prime Rating	
				kW/kVA	Amps	kW/kVA	Amps
	120/208	3	60	38/48	132	35/44	121
LSA432S25	120/240	1	60	36/36	150	33/33	138
	277/480	3	60	38/48	57	35/44	53

RATINGS: All three-phase units are rated at 0.8 power factor. All single-phase units are rated at 1.0 power factor. *Standby Ratings:* The standby rating is applicable to varying loads for the duration of a power outage. There is no overload capability for this rating. *Prime Power Ratings:* At varying load, the number of generator set operating hours is unlimited. A 10% overload capacity is available for one hour in twelve. Ratings are in accordance with ISO-8528-1 and ISO-3046-1. For limited running time and continuous ratings, consult the factory. Obtain technical information bulletin (TIB-101) for ratings guidelines, complete ratings definitions, and site condition derates. The generator set manufacturer reserves the right to change the design or specifications without notice and without any obligation or liability whatsoever.

Alternator Specifications

- NEMA-MG21, UTE NF C51.111, VDE 0530, BS 4999, CSA standards compliance for temperature rise and motor starting.
- Self-ventilated and dripproof construction.
- Vacuum-impregnated windings with fungus-resistant epoxy varnish for dependability and long life.
- Superior voltage waveform from a two-thirds pitch stator and skewed rotor.

Specifications	Alternator
Manufacturer	Leroy Somer
Type	4-Pole, Rotating-Field
Exciter type	Shunt
Leads: quantity, type	12, Reconnectable
Voltage regulator	Solid State, R230
Insulation:	NEMA MG1
Material	Class H
Bearing: quantity, type	1, Sealed
Coupling	Direct
Voltage regulation, no-load to full-load	±1%
Direct axis subtransient reactance (X ^d), %	5.7

Application Data

Engine

Engine Specifications	
Manufacturer	Mitsubishi
Engine model	S4S-Y3DT61SD
Engine type	4-Cycle, Turbocharged
Cylinder arrangement	4 Inline
Displacement, L (cu. in.)	3.3 (203)
Bore and stroke, mm (in.)	120 x 94 (4.7 x 3.7)
Compression ratio	19:1
Piston speed, m/min. (ft./min.)	432 (1416)
Rated rpm	1800
Max. power at rated rpm, kWm (BHP)	43.9 (59)
Valve material:	
Intake	Chromium-Silicon Steel
Exhaust	Stainless Steel
Governor type	Mechanical
Frequency regulation, no-load to full-load	ISO 5%
Frequency regulation, steady state	<6.5%
Air cleaner type, all models	Dry

Engine Electrical

Engine Electrical System	
Battery charging alternator:	
Ground (negative/positive)	Negative
Volts (DC)	12
Starter motor rated voltage (DC)	12
Battery, recommended cold cranking amps (CCA):	
Quantity, CCA rating each	One, 680
Battery voltage (DC)	12

Fuel

Fuel System	
Max. fuel flow, Lph (gph)	—
Fuel prime pump	Manual
Recommended fuel	#2 Diesel
Fuel tank capacity, L (gal.)	230 (61)

Lubrication

Lubricating System	
Type	Full Pressure
Oil pan capacity, L (qt.)	9.0 (9.6)
Oil pan capacity with filter, L (qt.)	10 (10.4)

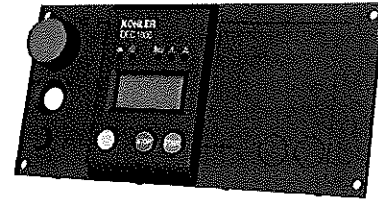
Application Data

Operation Requirements

Fuel Consumption

Diesel, Lph (gph) at % load	Prime Rating
100% (of the prime rating)	12.2 (3.2)
75% (of the prime rating)	8.9 (2.4)
50% (of the prime rating)	6.1 (1.6)

Controllers



Decision-Maker® 1000

Standard Features

- LCD display panel
- User buttons for start, stop, and menu scroll and selection
- Emergency stop button
- On/off key switch
- LED indication for status
- Panel-mounted battery fuse
- Panel lights

LCD Panel Features

- Three lines of text and graphic display
- Icons for quick identification of system status

Functions

- View and adjust system operation parameters
- View system faults

Viewable/Selectable Parameters (may require optional module)

- Mode of operation
- Battery voltage
- Frequency
- Time delay countdown
- Hourmeter
- Engine speed
- Fuel level (%)
- Coolant temperature
- Oil pressure
- Voltage: phase, phase-to-neutral, total voltage
- Current

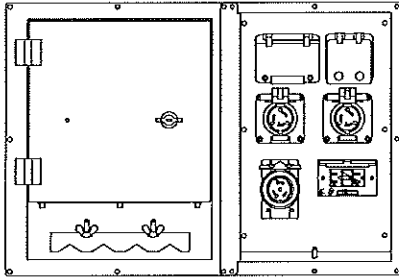
Viewable Faults

- Overspeed
- Overcrank
- Low fuel level
- Coolant temperature
- Oil pressure
- Battery charger
- Frequency meter, ammeter, voltmeter
- Emergency stop

Distribution Panel

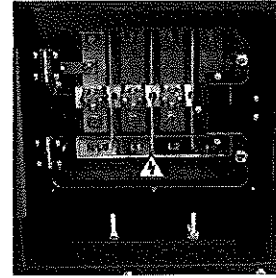
Receptacles

- Two 20-amp 120 V, 1 phase, GFCI duplex
- Two 50-amp 120/240 V twistlock (shore power)
- Individual receptacle circuit breakers



Bus Bar Connection

- Main bus connection studs enclosed behind a lockable access door for easy access and operator safety
- Strain relief to prevent cables from being pulled free from bus connections

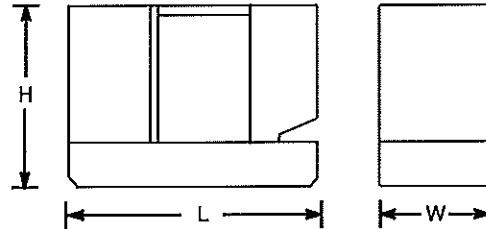


Available Accessories

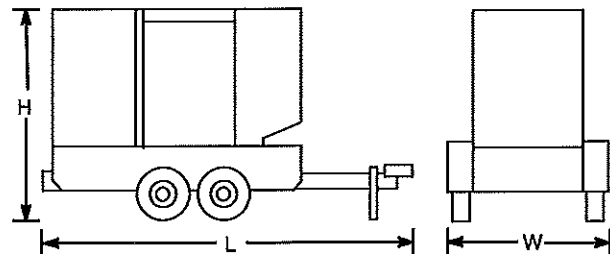
- Battery Charger, Equalize/Float Type
- Bottle Jack
- Cable Rack (bolt on)
- Camlock Style Load Connection Kit
- Fire Extinguisher
- Lunette Eye
- Remote Start Connections
- Spare Tire
- Trailer (includes utility tool box)

Dimensions and Weights

Overall Size, L x W x H, mm (in.): 2160 x 966 x 1571 (85 x 38 x 62)
 Weight, wet, kg (lb.): 1480 (3263)



Overall Size, L x W x H, mm (in.): 4305 x 1807 x 2196 (169 x 71 x 86)
 Weight, wet, kg (lb.): 2160 (4763)



Note: This drawing is provided for reference only and should not be used for planning installation. Contact your local distributor for more detailed information.

DISTRIBUTED BY: